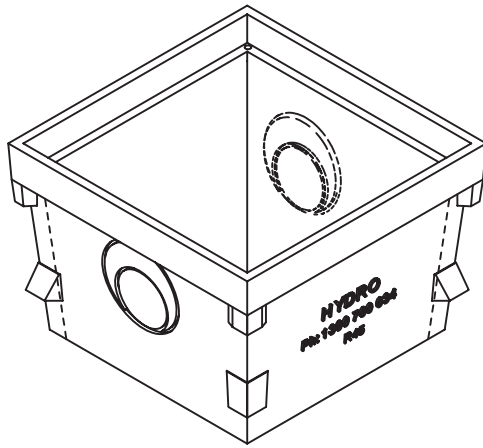
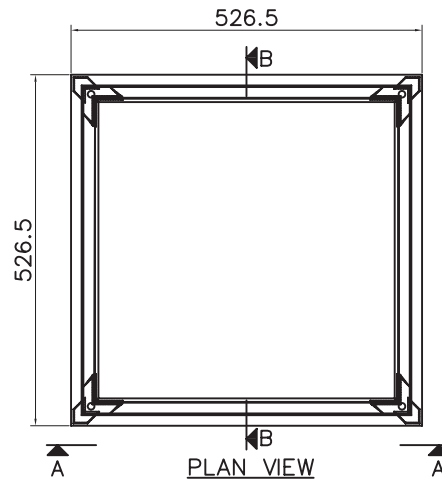


R45 - 450x450x300 Deep Polymer Concrete Pit Riser

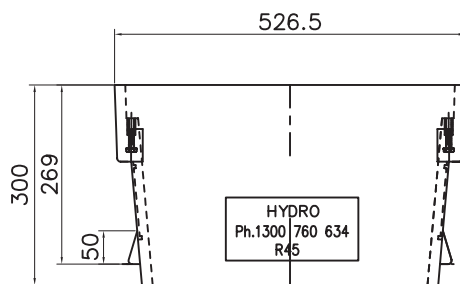
BASE PRODUCT CODE ACP-R45



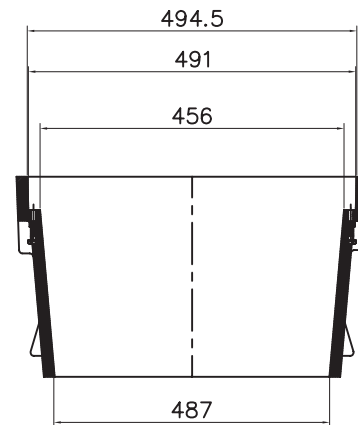
ISO VIEW



PLAN VIEW



View A-A



Section B-B

SPECIFICATIONS

Polymer Concrete: Based on polyester resin
 Compression Resistance: >90N/mm²
 Flexural Strength >22N/mm²
 Water Absorption: Less than 0.05%
 Density: 2.1-2.3kg/dm³
 Modulus of Elasticity: 25-35kN/mm²
 Water Penetration Level: 0mm
 Material Structure: Capillary Free
 Total Height: 450mm
 Total Width: 374x374mm