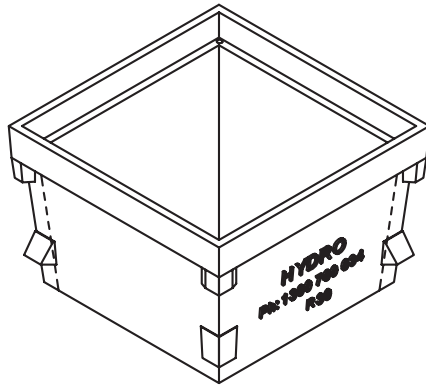
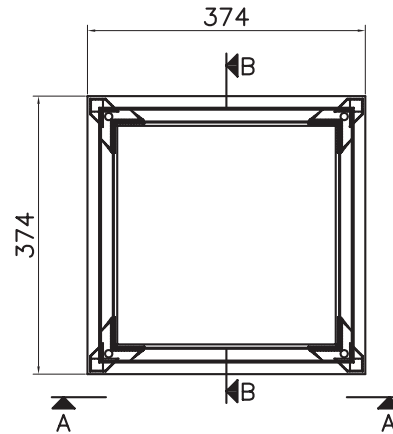


## R30 - 300x300x300 Deep Polymer Concrete Pit Riser

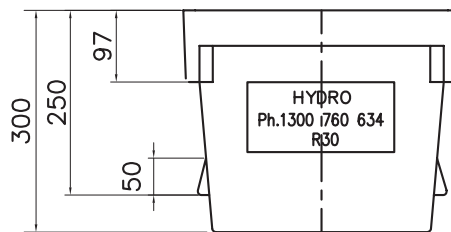
BASE PRODUCT CODE ACP-R30



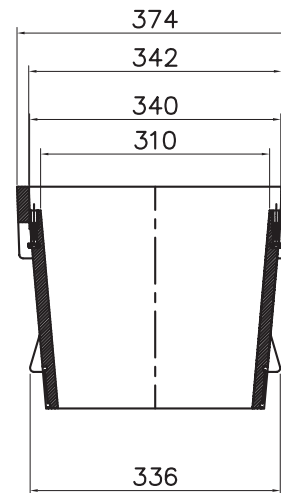
ISO VIEW



PLAN VIEW



View A-A



Section B-B

### SPECIFICATIONS

Polymer Concrete: Based on polyester resin  
 Compression Resistance: >90N/mm<sup>2</sup>  
 Flexural Strength >22N/mm<sup>2</sup>  
 Water Absorption: Less than 0.05%  
 Density: 2.1-2.3kg/dm<sup>3</sup>  
 Modulus of Elasticity: 25-35kN/mm<sup>2</sup>  
 Water Penetration Level: 0mm  
 Material Structure: Capillary Free  
 Total Height: 450mm  
 Total Width: 374x374mm