

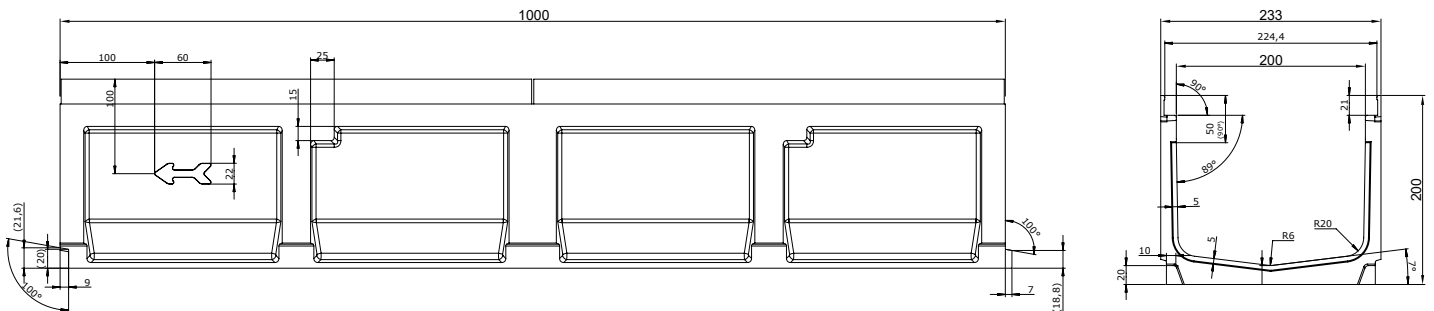
## 200mm Clear Opening Polymer Concrete Channel With Ductile Iron Edge Rail



### PRODUCT DETAILS

Drainage channels made of polymer concrete.  
Includes integrated cast iron edge protection.  
200mm clear opening width.  
Available in 1 metre lengths.  
Includes connecting facility for vertical discharge outlet connector to channel or inline sump.  
Ductile iron grates available in slotted or heelguard designs with PROFIX locking system.  
Channel accessories available including inline sumps & baskets.  
Designed up to heavy duty applications for AS3996 class E400kN when installed according to the MEA installation instructions.

### AC2000D - 200mm overall depth



### CHANNEL UNIT PROPERTIES

Polymer Concrete:	Based on polyester resin	Material Structure:	Capillary Free
Compression Resistance:	>90N/mm <sup>2</sup>	Fall Type:	Constant
Flexural Strength:	>22N/mm <sup>2</sup>	Load Classes:	A10-E400 (AS3996)
Water Absorption:	Less than 0.05%	(E400 unsuitable for cross drainage of high speed roads & motorways.)	
Density:	2.1-2.3kg/dm <sup>3</sup>	Total Height:	200mm (see next table for details)
Modulus of Elasticity:	25-35kN/mm <sup>2</sup>	Total Width:	233mm
Water Penetration Level:	0mm	Length:	1,000mm

### CHANNEL PARTS LIST

Product Name	Part No.	Depth	Weight (kgs.)
AC2000 Constant Depth	712831	200mm	24
Stainless Steel End Cap	160100SS	200mm	N/A
All 200mm C/O channels come with one 160mm outlet			