

Halgan Modular Grease Trap - MGT

The **Halgan** Modular Grease Trap (MGT) is available in a range of sizes from 550 litre to 10000 litre capacity. Units can be joined side by side, or in a line, and installed in a number of combinations

The **Halgan** MGT can be installed freestanding, above ground or inground with medium and heavy duty lids.

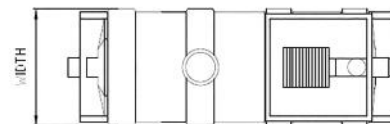
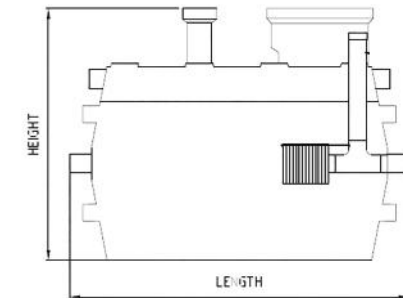
The Halgan MGT is designed to be upgradable for future expansion by adding on extra modules.

Features

- Compact – lightweight
- Easily transported
- Acid resistant
- Easily cleaned
- Durable
- Upgradable for future expansion

Applications

- Cafes
- Restaurants
- Bakeries
- Takeaways and any commercial premises that discharges oil and grease



Code #	Description	Length (MM)	Height (MM)	Width (MM)	Weight (KG)
510510	Modular Grease Trap 550 litres Above Ground Class A Lid	1120	1550	720	55
510520	Modular Grease Trap 550 litres In Ground Class B Lid	1120	1550	720	85
510530	Modular Grease Trap 550 Litres In Ground Class D Lid	1120	1550	720	97
511010	Modular Grease Trap 1000 litres Above Ground Class A Lid	2060	1550	720	100
511020	Modular Grease Trap 1000 litres In Ground Class B Lid	2060	1550	720	130
511030	Modular Grease Trap 1000 Litres In Ground Class D Lid	2060	1550	720	142
511510	Modular Grease Trap 1500 litres Above Ground Class A Lid	3000	1525	720	140
511520	Modular Grease Trap 1500 litres In Ground Class B Lid	3000	1525	720	170
511530	Modular Grease Trap 1500 Litres In Ground Class D Lid	3000	1525	720	182

**CIVIL &
GENERAL**
DISTRIBUTORS

(08) 9249 4733 27 OXLEIGH DRIVE MALAGA WA 6090

Enquiries: sales@civilandgeneral.com.au

www.civilandgeneral.com.au

Halgan Modular Grease Trap "A" Series - MGT "A"

The **Halgan** Modular Grease Trap A Series (MGT "A" Series) is an additional design to the MGT series.

It is a single tank that is used for above ground only, installed freestanding (there is no need for a frame).

The **Halgan** MGT "A" Series is available in a range of sizes from 1000 litre to 6000 litre capacity.

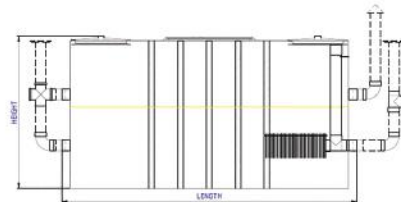
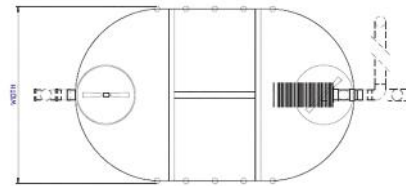
HDPE Inlet Kit and DWV Kits supplied with each Grease Trap.

Features

- Designed to fit into one car park space
- Structural integrity
- Access lids for easy servicing
- Surge Control Device (SCD)
- UV resistant
- Lightweight

Applications

- Cafes
- Restaurants
- Bakeries
- Takeaways and any commercial premises that discharges oil and grease



Code #	Description	Length (MM)	Height (MM)	Width (MM)	Weight (KG)
531010	A Series Grease Trap 1000 litres Above Ground	2200	1550	700	210
531510	A Series Grease Trap 1500 litres Above Ground	2200	1550	700	210
532010	A Series Grease Trap 2000 litres Above Ground	2800	1550	1350	215
533010	A Series Grease Trap 3000 litres Above Ground	2800	1550	1350	215
534010	A Series Grease Trap 4000 litres Above Ground	3100	1550	1850	260
355010	A Series Grease Trap 5000 litres Above Ground	3100	1550	1850	260
356010	A Series Grease Trap 6000 litres Above Ground	3100	1550	1850	260

**CIVIL &
GENERAL**
DISTRIBUTORS

(08) 9249 4733 27 OXLEIGH DRIVE MALAGA WA 6090

Enquiries: sales@civilandgeneral.com.au

www.civilandgeneral.com.au

Halgan Modular Grease Trap “S” Series - MGT “S”

The **Halgan** Modular Grease Trap S Series (**Halgan** MGT “S” Series) has been designed to incorporate features to not only maximise performance, but to allow for enhanced servicing capabilities. The shape allows for solids and sludge to be captured in a purpose built servicing channel, whilst utilising the benefits of the existing Surge Control Device design. The Halgan MGT “S” Series has a Patented “Service Channel”, designed for quick and easy servicing. The servicing channel has a connection for suction line connection.

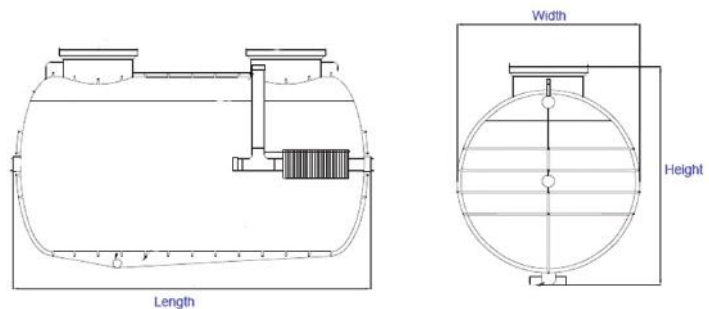
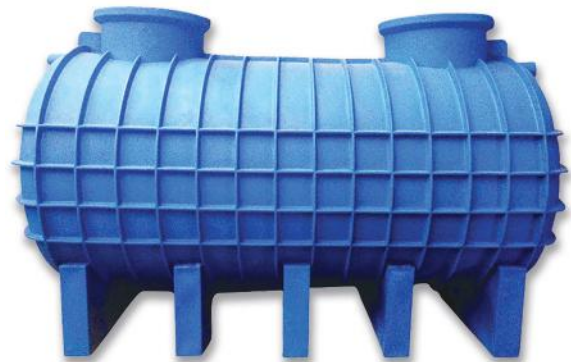
A stand is also available for above ground applications.

Features

- Compact – lightweight
- Easily transported
- Acid resistant
- Easily cleaned
- Durable
- Upgradable for future expansion

Applications

- Cafes
- Restaurants
- Bakeries
- Takeaways and any commercial premises that discharges oil and grease



Code #	Description	Length (MM)	Height (MM)	Width (MM)	Weight (KG)
522020	S Series Grease Trap 2000 litres In Ground Class B Lid without stand	3010	1550	1130	260
522030	S Series Grease Trap 2000 litres In Ground Class D Lid without stand	3010	1550	1130	284
523020	S Series Grease Trap 3000 litres In Ground Class B Lid without stand	3055	1680	1365	320
523030	S Series Grease Trap 3000 litres In Ground Class D Lid without stand	3055	1680	1365	344
524020	S Series Grease Trap 4000 litres In Ground Class B Lid without stand	3250	1825	1510	370
524030	S Series Grease Trap 4000 litres In Ground Class D Lid without stand	3250	1825	1510	394
525020	S Series Grease Trap 5000 litres In Ground Class B Lid without stand	3200	1940	1625	410
525030	S Series Grease Trap 5000 litres In Ground Class D Lid without stand	3200	1940	1625	434

**CIVIL &
GENERAL**
DISTRIBUTORS

(08) 9249 4733 27 OXLEIGH DRIVE MALAGA WA 6090

Enquiries: sales@civilandgeneral.com.au

www.civilandgeneral.com.au