

## 123mm Ductile Iron Longitudinal Heelguard Grate 0.5m - Class D CLIPFIX



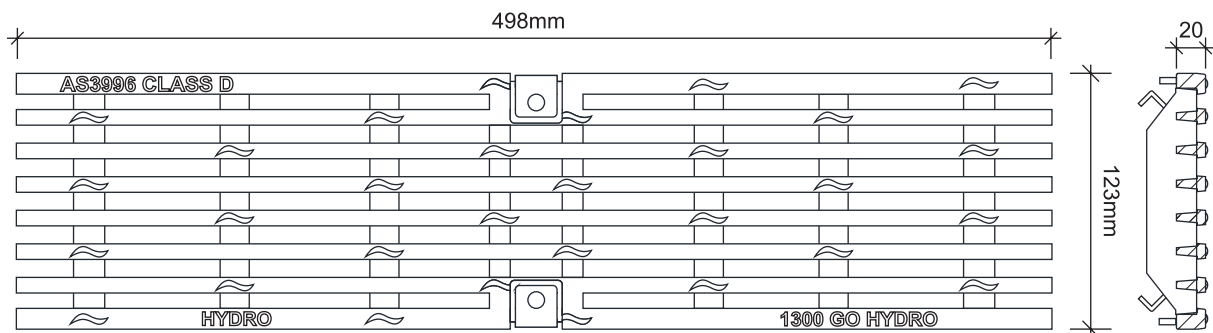
### Ductile Iron Longitudinal Heelguard Grate

Certified to AS3996 load class D240kN, point load approximately 8,000kg.  
Compliant for wheelchair & walking cane safety (AS1428.2 - Clause 9).  
Compliant for bicycle tyre penetration resistance (AS3996 - Clause 3.3.6).  
Compliant for surface openings in pedestrian areas (AS3996).  
Certified for slip resistance Wet Pendulum Test (AS4586:P2).  
Certified for slip resistance for oil-wet inclining platform test (AS4586:R10)

Intake area of 18,534mm<sup>2</sup> per half metre grate.  
Manufactured from ductile iron with KTL coating.  
Grates suitable for MEA Supreme LZ/LS/Z/S1000 & MEA Fluid 100 channel units & inline sumps.  
Total width of grate 123mm.

### Locking Mechanism

CLIPFIX locking system offers securement to channel units & inline sumps.



### PRODUCT SPECIFICATION

DESCRIPTION	MATERIAL	LENGTH	PART NO.	WEIGHT (kg)
123mm Ductile Iron Longitudinal Heelguard Grate 0.5m - Class D CLIPFIX	Ductile Iron	498mm	152700	4.2